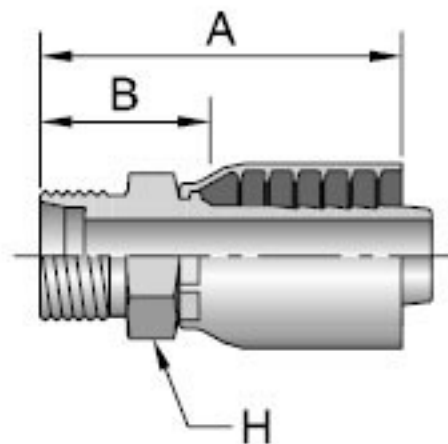


1D043

Male Metric L - Rigid - (24° Cone)

ISO 12151-2

# Part Number	Thread		Hose I.D.		A		B		H
	mm		inch		inch	mm	inch	mm	mm
1D043-6-4	6	M12x1,5	1/4		1.73	44	0.93	24	14
1D043-8-4	8	M14x1,5	1/4		1.61	41	0.93	24	14
1D043-10-5	10	M16x1,5	5/16		1.97	50	0.83	21	19
1D043-10-6	10	M16x1,5	3/8		1.97	50	0.83	21	19
1D043-12-5	12	M18x1,5	5/16		1.89	48	0.94	24	19
1D043-12-6	12	M18x1,5	3/8		1.97	50	0.83	21	19
1D043-15-6	15	M22x1,5	3/8		1.93	49	1.02	26	22
1D043-15-8	15	M22x1,5	1/2		2.28	58	0.94	24	22
1D043-18-10	18	M26x1,5	5/8		2.68	68	1.14	29	27
1D043-18-12	18	M26x1,5	3/4		2.68	68	1.14	29	27
1D043-22-12	22	M30x2	3/4		2.72	69	1.22	31	30
1D043-28-16	28	M36x2	1		3.11	79	1.30	33	36
1D043-35-20	35	M45x2	1-1/4		3.35	85	1.50	38	46



Jerzy SUPPLY

www.jerzysupply.com